

**GLOCK SPORT SHOOTING FOUNDATION**  
**Illinois State Rifle Association Fall League**

**DATES:** On these Sundays: September 24, October 29, and November 26, 2023.  
Registration begins at 8:30am. Mandatory safety briefing to shoot matches is at 9:00am.  
The first match will be fired at approximately 9:15am and will end at noon.

**LOCATION:** Illinois State Rifle Association Range. Warner Bridge Road, 1589N 7000W Road, Kankakee, Illinois. 1.25 miles north of Rt. 17, west of Kankakee.

**FACILITIES:** 25 firing points, restrooms, including handicapped accessible, are available.

**REGISTRATION FEE:** \$20.00 for first model of Glock for the match. Only members of Glock Sport Shooting Foundation are eligible.

**REFIRES:** Refires with the same Glock model pistol will be \$5.00 per time.

**ENTRIES:** You must be a GSSF member to shoot in these Glock matches. There will be no limit on entries. Those who have entered 5 days prior to the match will be given precedence. Walk-on entries are welcome.

**SQUADDING:** Competitors will be required to score and brass. Squadding will be done as follows:  
Ready; Shoot; Score; Brass.

**RULES:** Current GSSF and ISRA Range rules will apply.

**CHALLENGES:** Range officers will determine both score and shot counts. If a further challenge is pursued, a challenge fee of \$2.00 is required. A panel of three range officers will determine the score or shot count. Their decision will be final.

**CLASSIFICATION:** Scoring for STOCK division will be done on the Lewis Scoring System, with plaques awarded to First Place A, B, and C class winners. UNLIMITED First Place division plaque will be awarded, as well as one plaque for POCKET and RIMFIRE Glocks. Special recognition plaques will be awarded to First Place Lady, First Place Senior, and First Place Junior.

**2023 GSSF/ISRA  
Fall League Match**

Scoring will be done on the Lewis Scoring System. Plaques will be awarded to First Place A, B, and C class winners. Side matches and re-entry matches will be available.

If you shoot two out of three matches, you will be entered in a drawing for a new Glock.

Name: \_\_\_\_\_ GSSF Member # \_\_\_\_\_

Address: \_\_\_\_\_

Email: \_\_\_\_\_

City: \_\_\_\_\_ State: \_\_\_\_\_ Zip: \_\_\_\_\_ Phone: \_\_\_\_\_

I will be shooting Glock model number(s): \_\_\_\_\_

**\*You must be a GSSF member to shoot in these Glock matches\***

Sunday, September 24, 2023 \_\_\_\_\_ \$20.00 each

Sunday, October 29, 2023 \_\_\_\_\_ \$20.00 each

Sunday, November 26, 2023 \_\_\_\_\_ \$20.00 each

All three Fall matches \_\_\_\_\_ \$60.00 total

Check/MO \_\_\_ Visa \_\_\_ Mastercard \_\_\_ Discover \_\_\_ AMEX \_\_\_

Credit Card # \_\_\_\_\_ CVV: \_\_\_\_\_ Exp Date: \_\_\_\_\_

Mail entries to: ISRA Glock League  
PO Box 637  
Chatsworth, IL 60921

**ISRA Range Address: 1589N 7000W Rd, Bonfield, IL 60913**

Phone: 815.635.3198 Fax: 815.635.3723 [www.isra.org](http://www.isra.org)



## Original Course of Fire

Competitor faces NRA "D1" paper targets at distances of 15, 25, 50, and 75 Feet **OR** 5, 7(21 ft), 15 and 25 yards with firing timed as follows:

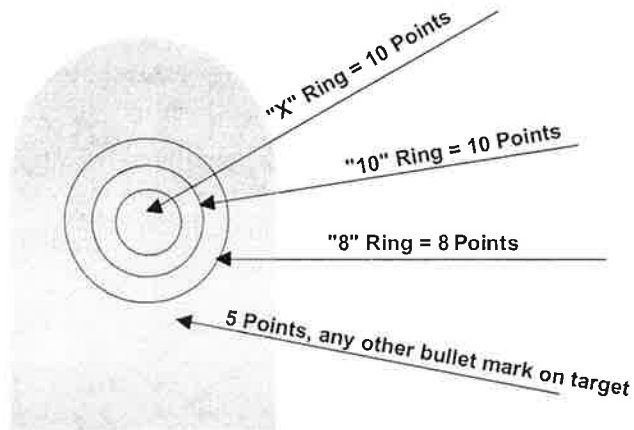
\*\*500 CLUB qualifying course of fire\*\*

D-1	5 rounds	25 feet <b>OR</b>	7(21ft) yards	15 seconds
D-1	5 rounds	50 feet <b>OR</b>	15 yards	15 seconds
D-1	10 rounds	15 feet <b>OR</b>	5 yards	15 seconds

### CHANGE TARGETS NOW

D-1	10 rounds	25 feet <b>OR</b>	7(21ft) yards	15 seconds
D-1	10 rounds	50 feet <b>OR</b>	15 yards	15 seconds
D-1	10 rounds	75 feet <b>OR</b>	25 yards	30 seconds

## SCORING TARGET



THERE IS NO PENALTY FOR MISSES OR UNFIRED SHOTS.



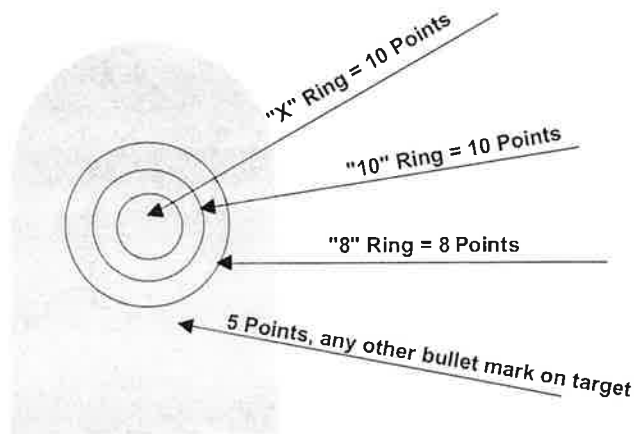
## COURSE OF FIRE OPTION E

POCKET GLOCKS (Does not qualify for 500 Club) **\*\*250 CLUB \*\***

Competitor faces NRA "D1" paper targets at distances of 9, 15, 25, 30 and 50 feet OR 3, 5, 7(21ft), 10, and 15 yards, with firing timed as follows:

D-1	5 rounds	9 feet <b>OR</b> 3 yards	15 seconds
D-1	5 rounds	15 feet <b>OR</b> 5 yards	15 seconds
<b>CHANGE TARGETS NOW</b>			
D-1	5 rounds	25 feet <b>OR</b> 7(21ft) yards	15 seconds
D-1	5 rounds	30 feet <b>OR</b> 10 yards	15 seconds
D-1	5 rounds	50 feet <b>OR</b> 15 yards	15 seconds

### SCORING TARGET



THERE IS NO PENALTY FOR MISSES OR UNFIRED SHOTS.